



IRMA MOBILE SIDE CHAIR, UPHOLSTERED ASSEMBLY



A
4 PCS



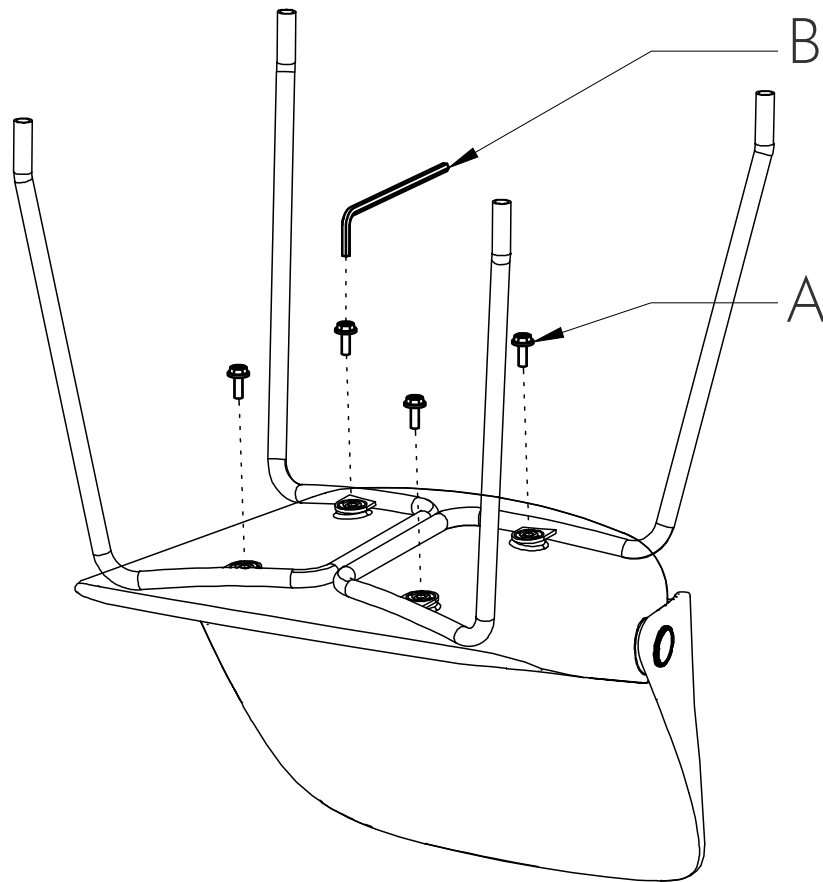
B
1 PC



E
4 PCS

STEP 01

ATTACH THE FRAME TO THE
SEAT BY SCREWS(A) AND
ALLEN WRENCH(B).





IRMA MOBILE SIDE CHAIR, UPHOLSTERED ASSEMBLY

STEP 02

AFTER INSERTING THE CASTERS (C)
INTO THE FRAME, YOUR CHAIR IS
READY TO USE.

