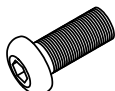




# IRMA MOBILE SIDE CHAIR, PLASTIC ASSEMBLY



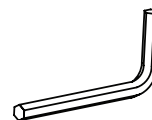
A  
2 PCS



B  
4 PCS



C  
4 PCS



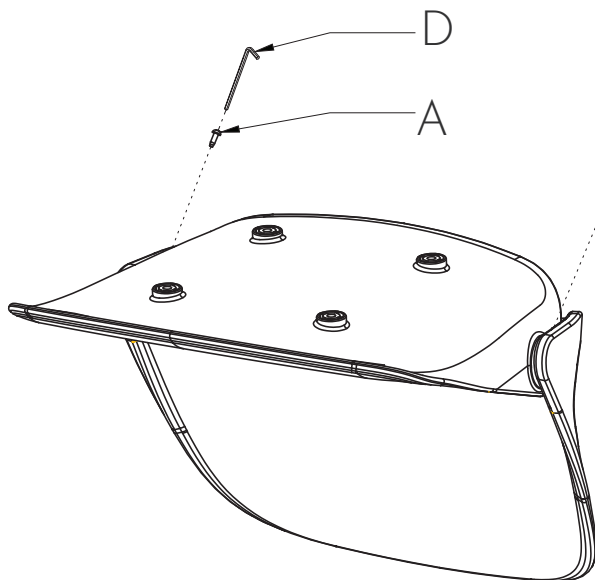
D  
1 PC



E  
4 PCS

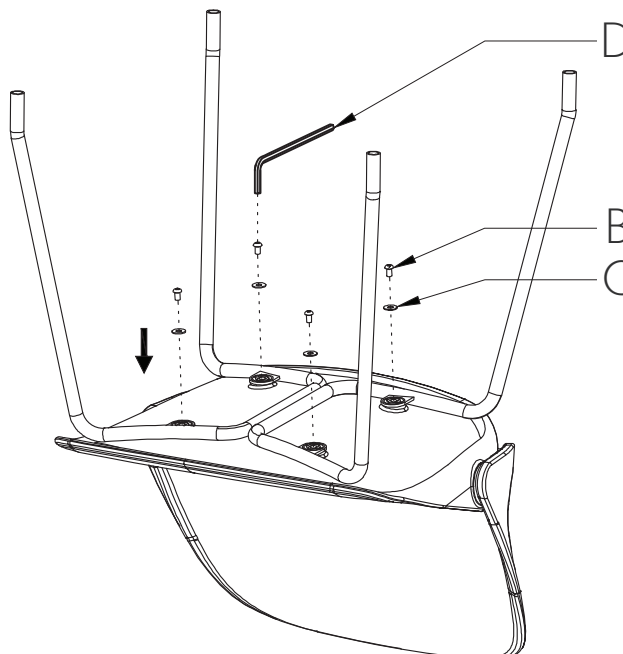
## STEP 01

CONNECT THE SEAT AND THE BACK, TIGHTEN THE SCREWS(A) WITH ALLEN WRENCH(D).



## STEP 02

ATTACH THE FRAME TO THE SEAT BY ALLEN WRENCH(D) IN THE ORDER OF SCREWS(B), GASKETS(C), FRAME AND SEAT BOTTOM.





# IRMA MOBILE SIDE CHAIR, PLASTIC ASSEMBLY

## STEP 03

AFTER INSERTING THE CASTERS (E)  
INTO THE FRAME, YOUR CHAIR IS  
READY TO USE.

