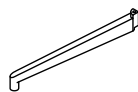




# IRMA DESK CHAIR, UPHOLSTERED ASSEMBLY



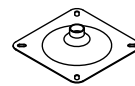
A  
1 PC



B  
4 PCS



C  
1 PC



D  
1 PC



E  
4 PCS



F  
4 PCS



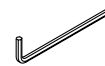
G  
4 PCS



H  
4 PCS



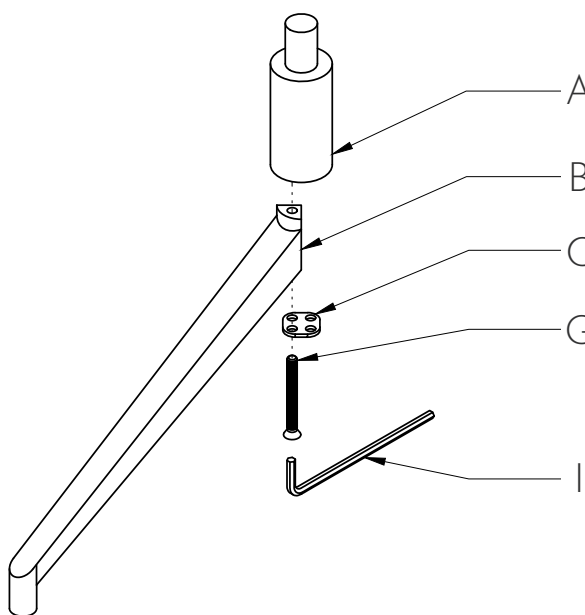
I  
1 PC



J  
1 PC

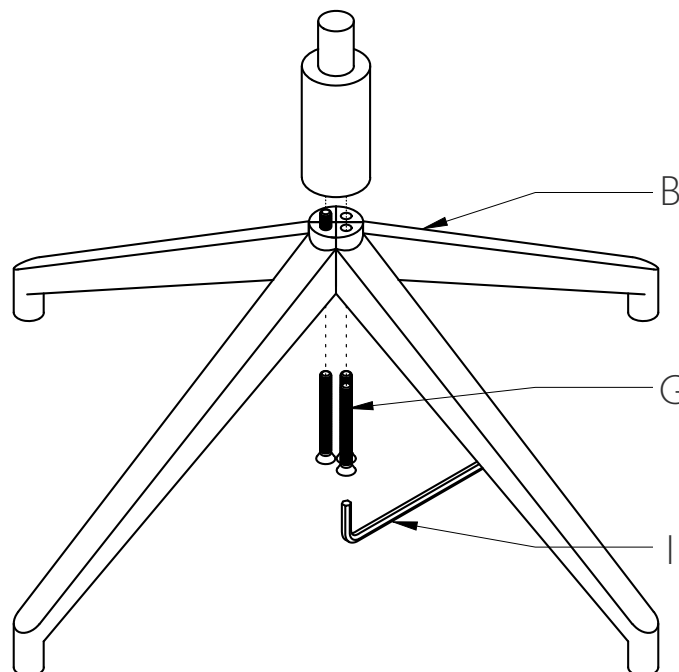
## STEP 01

FIX THE LEG BY ALLEN WRENCH(I) IN THE ORDER OF CYLINDER(A), LEG(B), IRON PIECE(C) AND SCREW(G). SEE PICTURE BELOW. (DO NOT TIGHTEN SCREW COMPLETELY)



## STEP 02

1.FIX THE OTHER LEGS AS STEP 1.  
2.TIGHTEN ALL SCREWS WITH ALLEN WRENCH (I) AFTER ALL LEGS ARE INSTALLED.

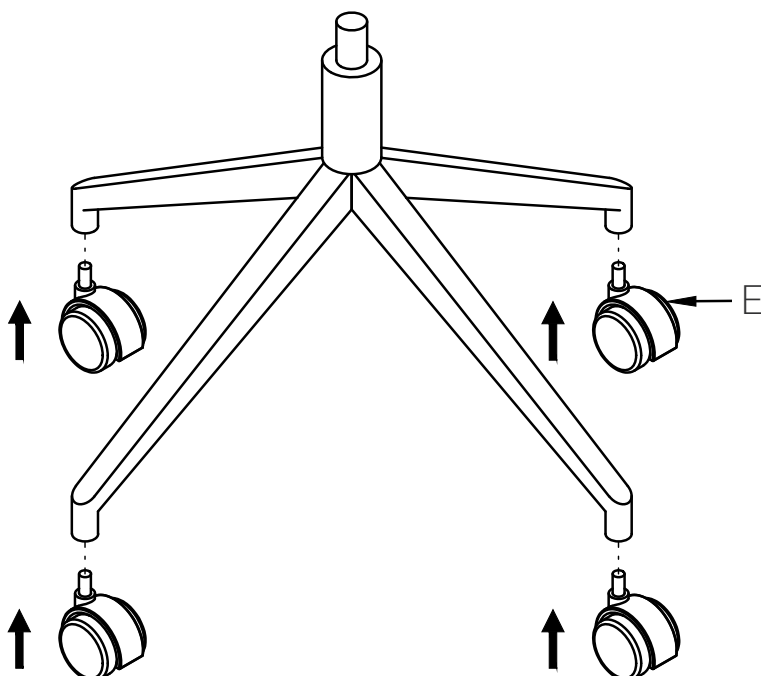




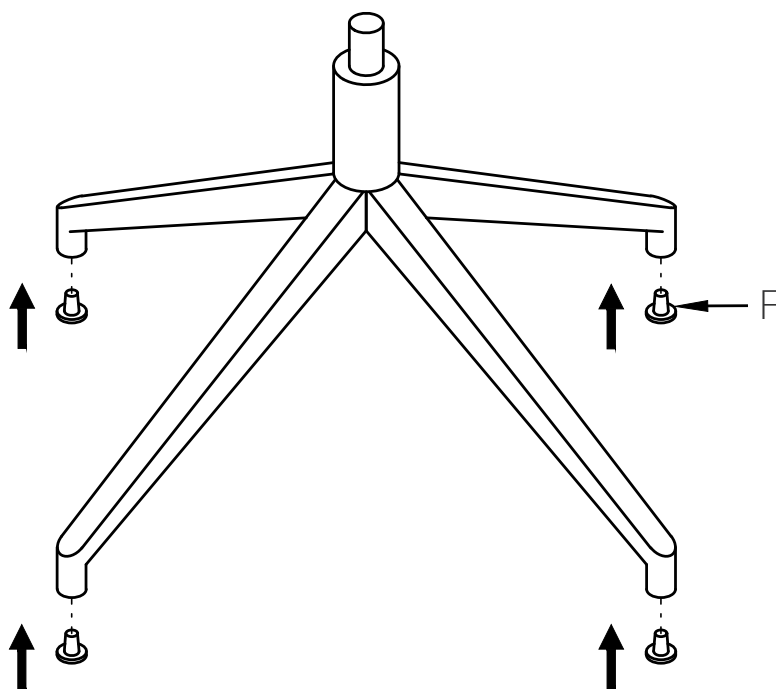
# IRMA DESK CHAIR, UPHOLSTERED ASSEMBLY

## STEP 03

INSERT THE CASTERS (E) OR  
RUBBER FEET (F) INTO THE LEGS.



OR

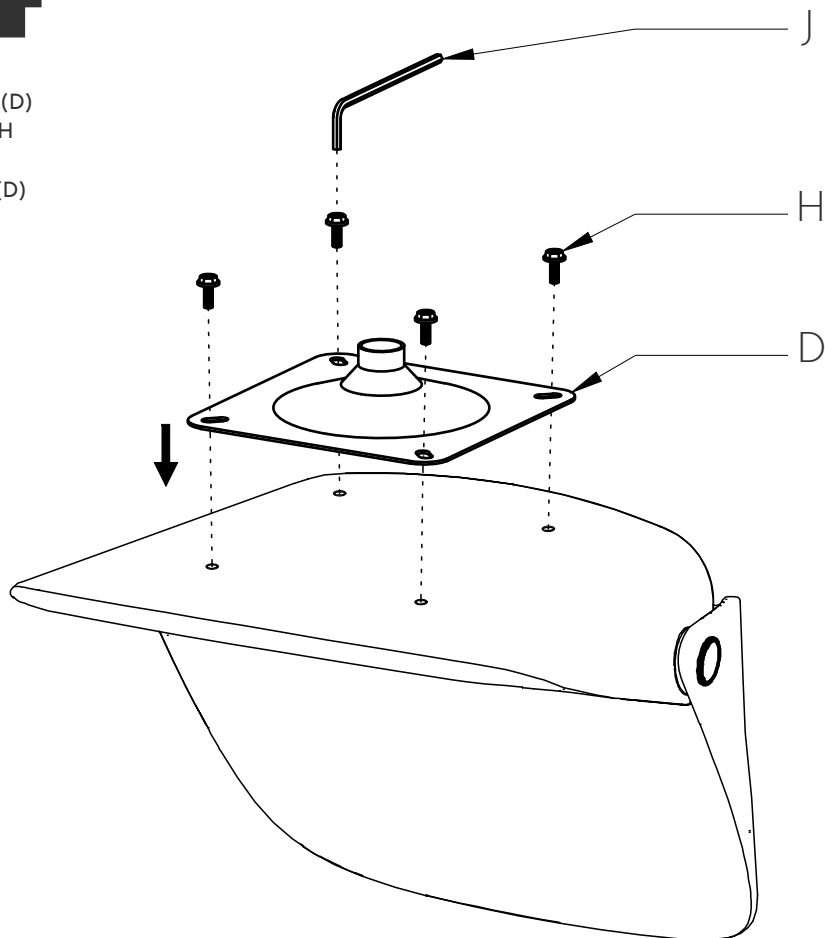




# IRMA DESK CHAIR, UPHOLSTERED ASSEMBLY

## STEP 04

ATTACH THE BOTTOM BRACKET (D)  
TO THE SEAT BY ALLEN WRENCH  
(J) IN THE ORDER OF  
SCREWS(H), BOTTOM BRACKET (D)  
AND SEAT BOTTOM.





# IRMA DESK CHAIR, UPHOLSTERED ASSEMBLY

---

## STEP 05

AFTER INSERTING THE CHAIR BASE INTO THE BOTTOM BRACKET, YOUR CHAIR IS READY TO USE.

