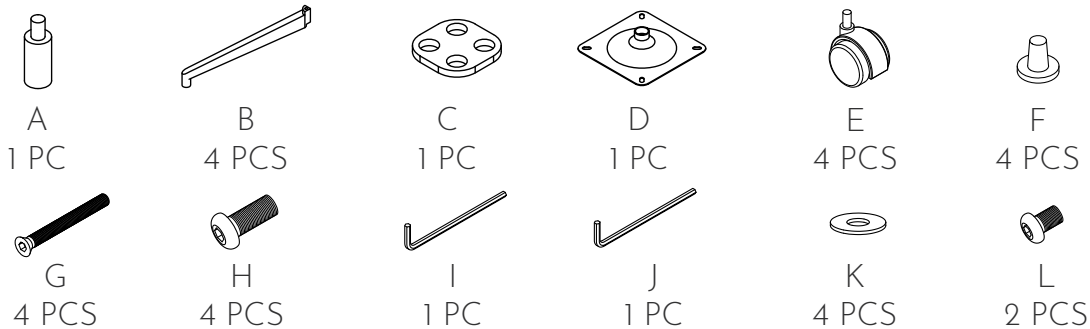


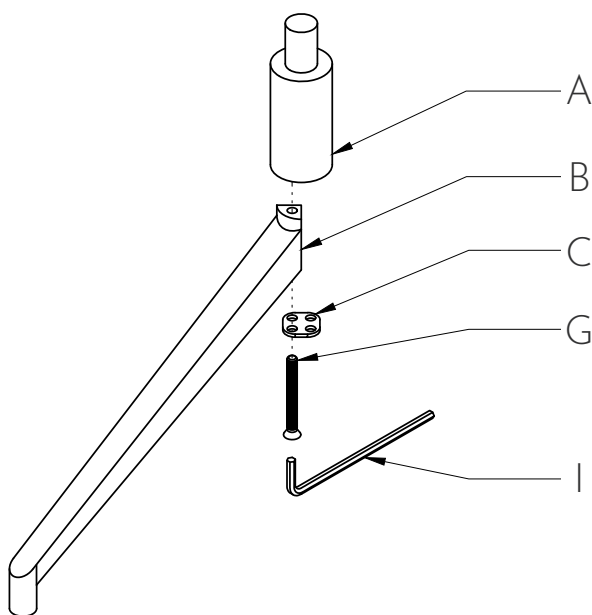


IRMA DESK CHAIR, PLASTIC ASSEMBLY



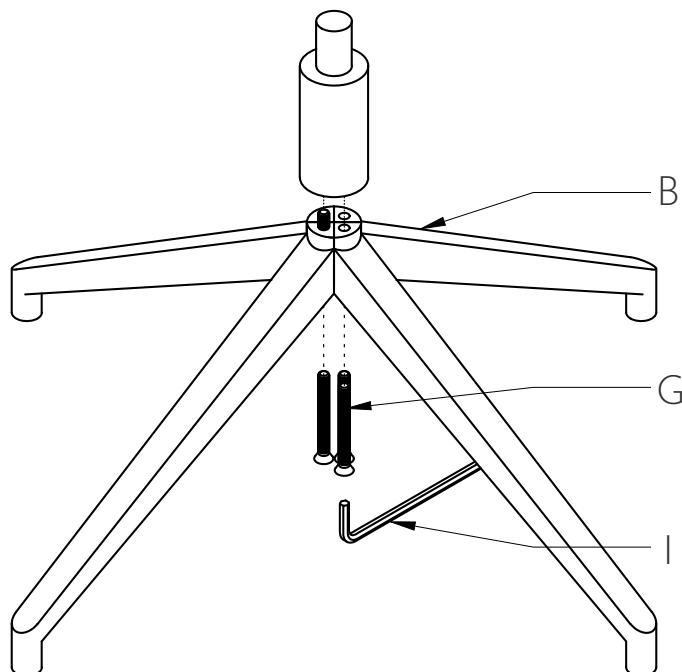
STEP 01

FIX THE LEG BY ALLEN WRENCH(I) IN THE ORDER OF CYLINDER(A), LEG(B), IRON PIECE(C) AND SCREW(G). SEE PICTURE BELOW. (DO NOT TIGHTEN SCREW COMPLETELY)



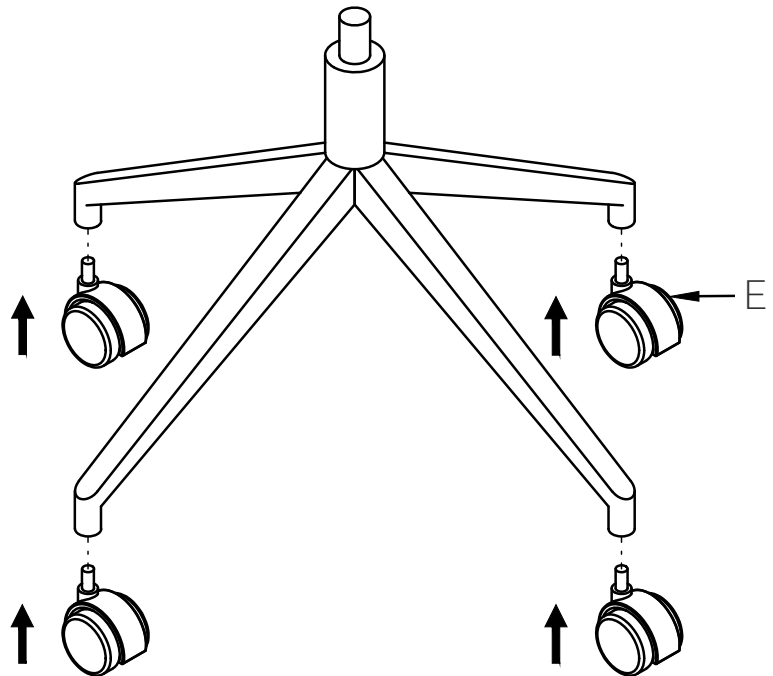
STEP 02

1.FIX THE OTHER LEGS AS STEP 1.
2.TIGHTEN ALL SCREWS WITH ALLEN WRENCH (I) AFTER ALL LEGS ARE INSTALLED.

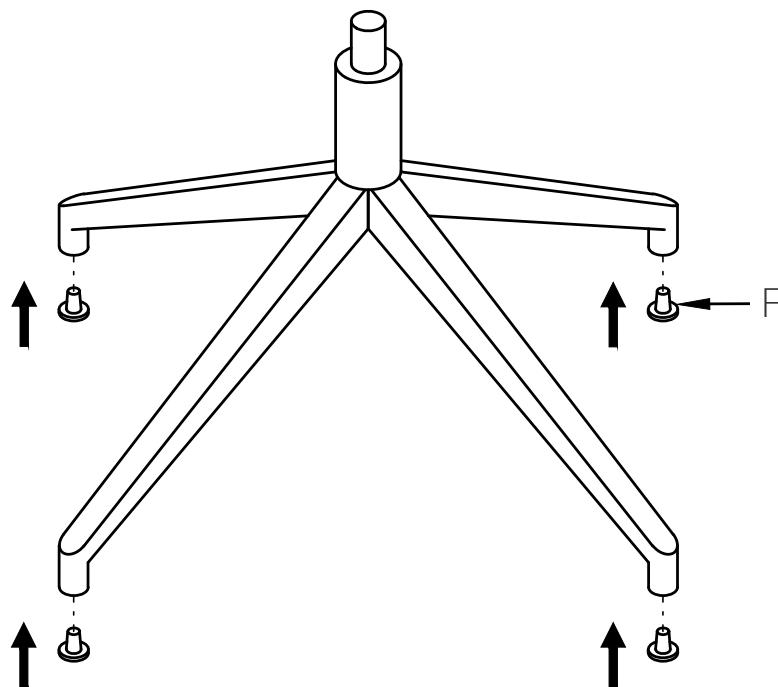


STEP 03

INSERT THE CASTERS (E) OR
RUBBER FEET (F) INTO THE LEGS.

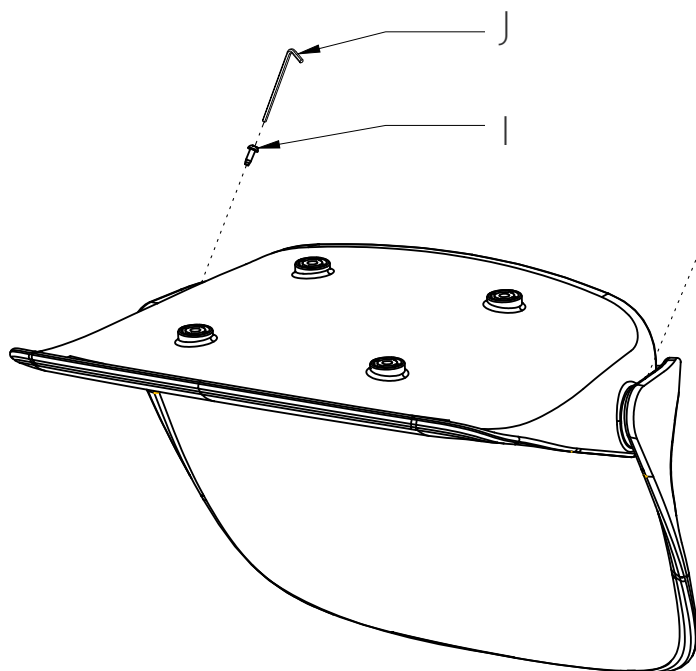


OR



STEP 04

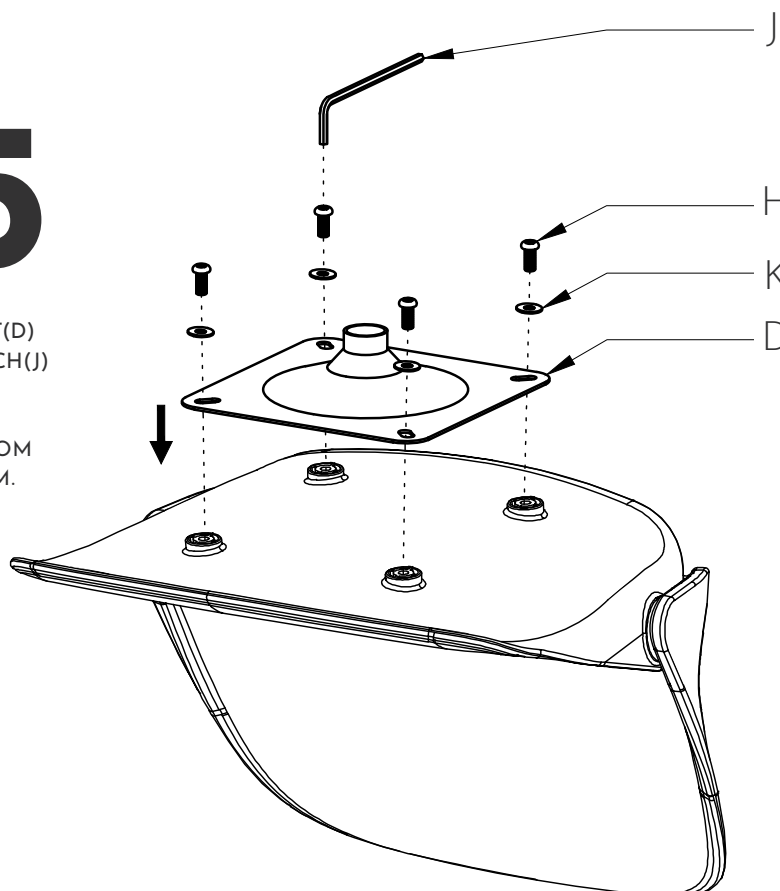
CONNECT THE SEAT AND THE BACK, TIGHTEN THE SCREWS(L) WITH ALLEN WRENCH(J).



STEP 05

ATTACH THE BOTTOM BRACKET(D) TO THE SEAT BY ALLEN WRENCH(J)

IN THE ORDER OF SCREWS(H), GASKETS(K), BOTTOM BRACKET(D) AND SEAT BOTTOM.





IRMA DESK CHAIR, PLASTIC ASSEMBLY

STEP 06

AFTER INSERTING THE CHAIR BASE INTO THE BOTTOM BRACKET, YOUR CHAIR IS READY TO USE.

