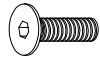




ELLIOTT (SQUARE TOP) ASSEMBLY



A
3 PCS



B
3 PCS



C
4 PCS

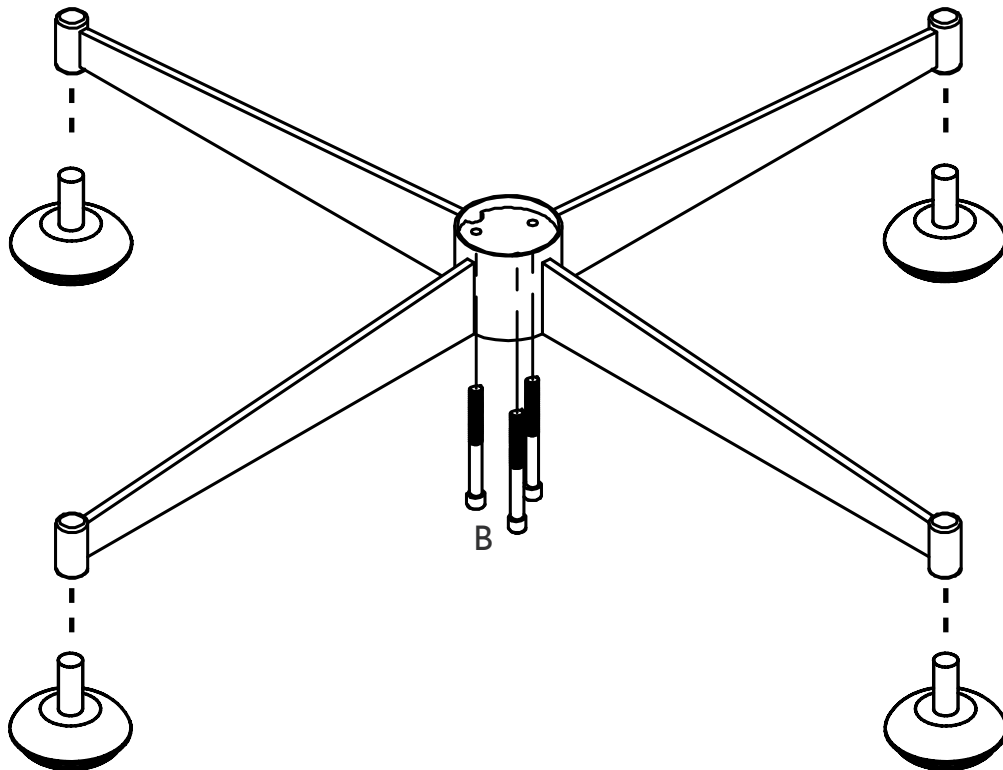


D
1 PC



E
1 PC

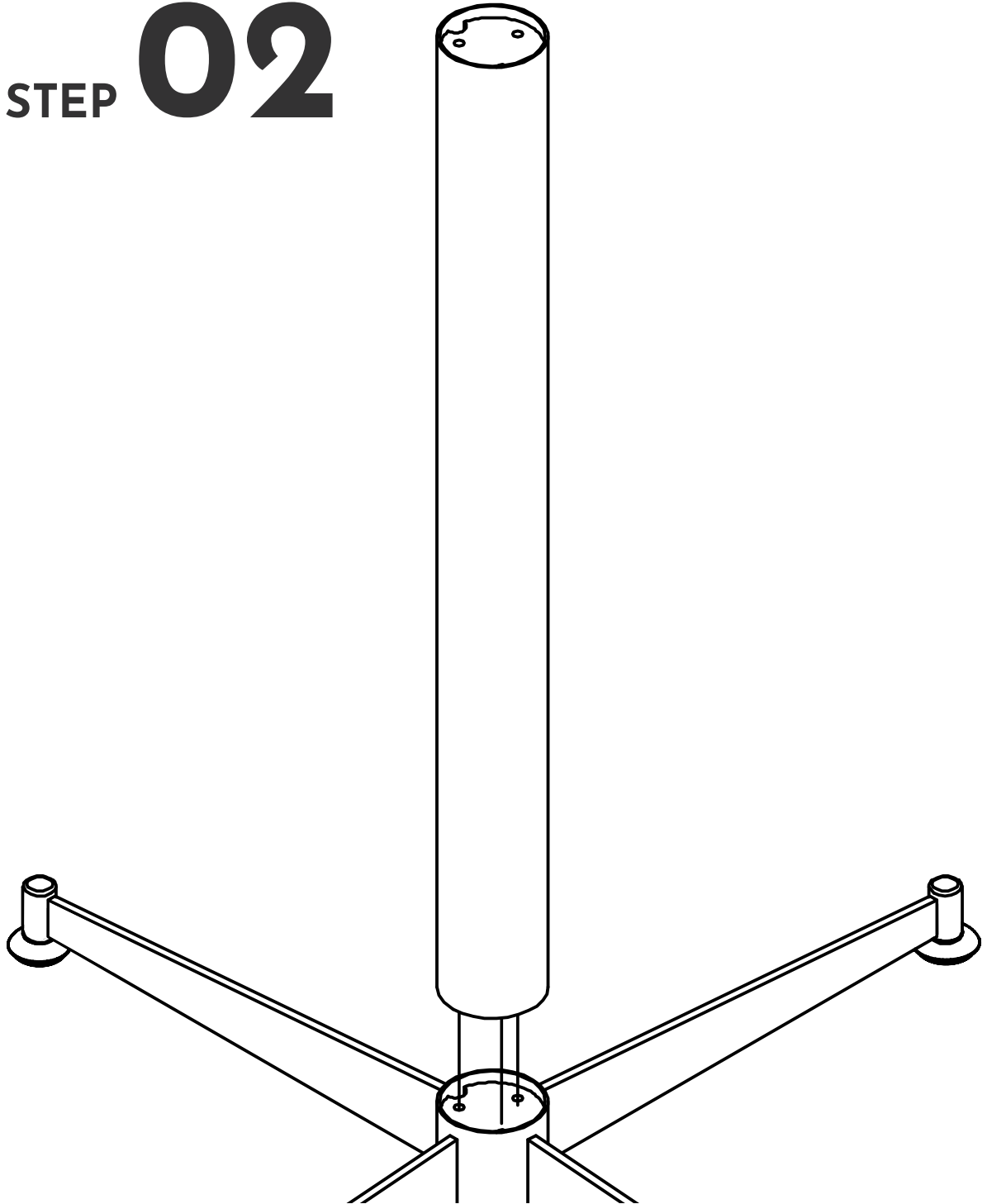
STEP 01



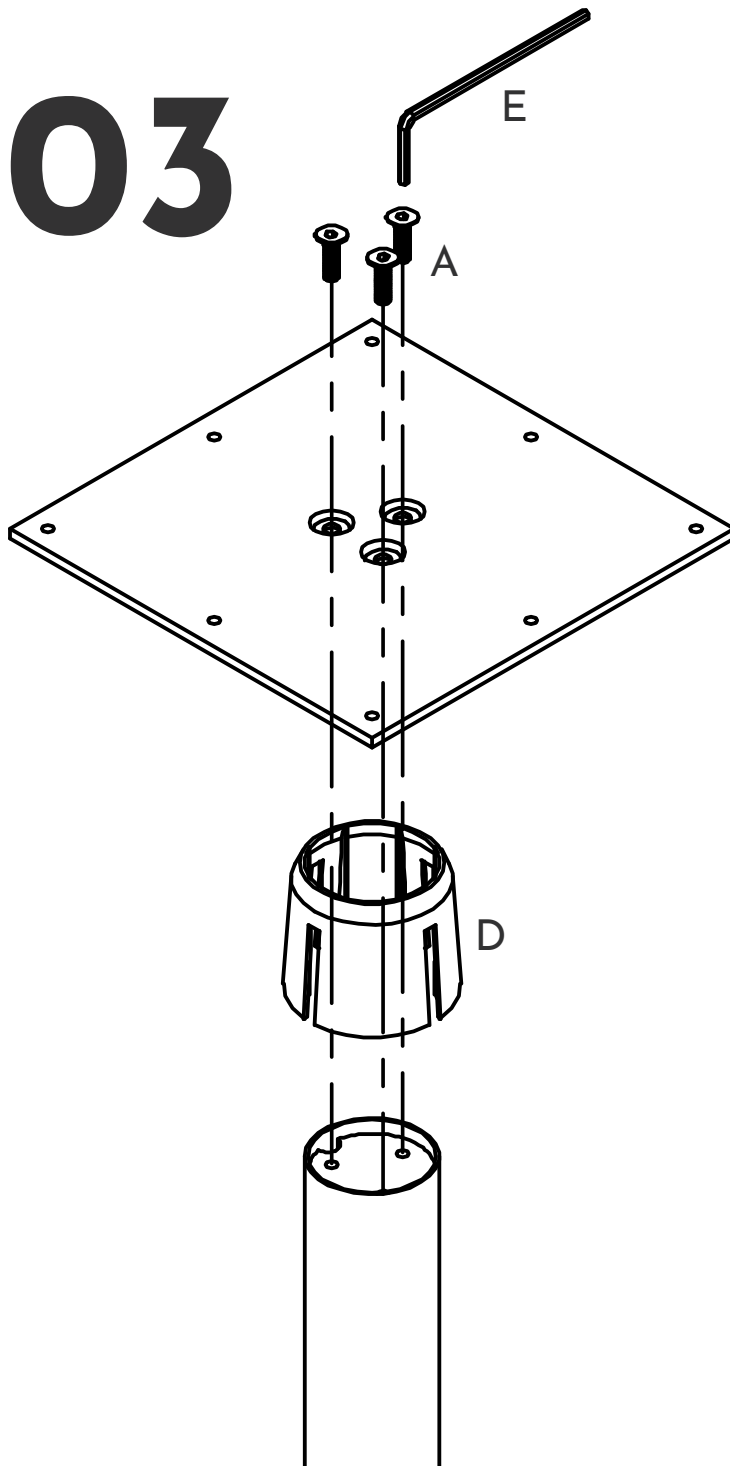


ELLIOTT (SQUARE TOP) ASSEMBLY

STEP 02



STEP 03





ELLIOTT (SQUARE TOP) ASSEMBLY

STEP 04

