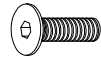




# ELLIOTT (ROUND TOP) ASSEMBLY



A  
3 PCS



B  
3 PCS



C  
4 PCS

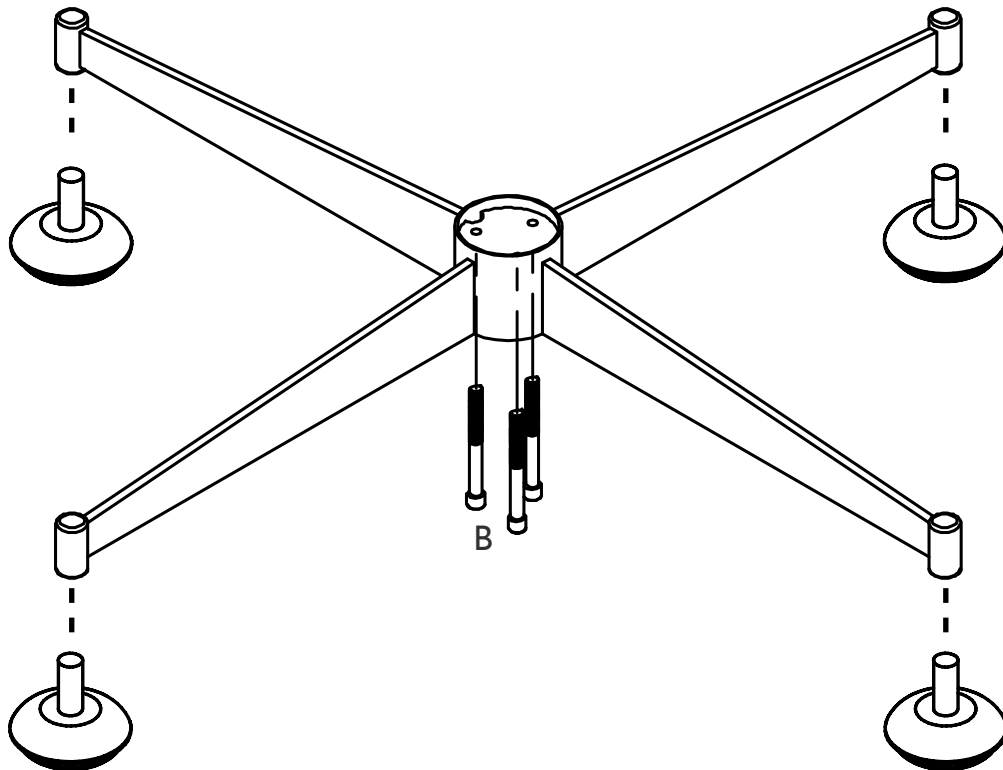


D  
1 PC



E  
1 PC

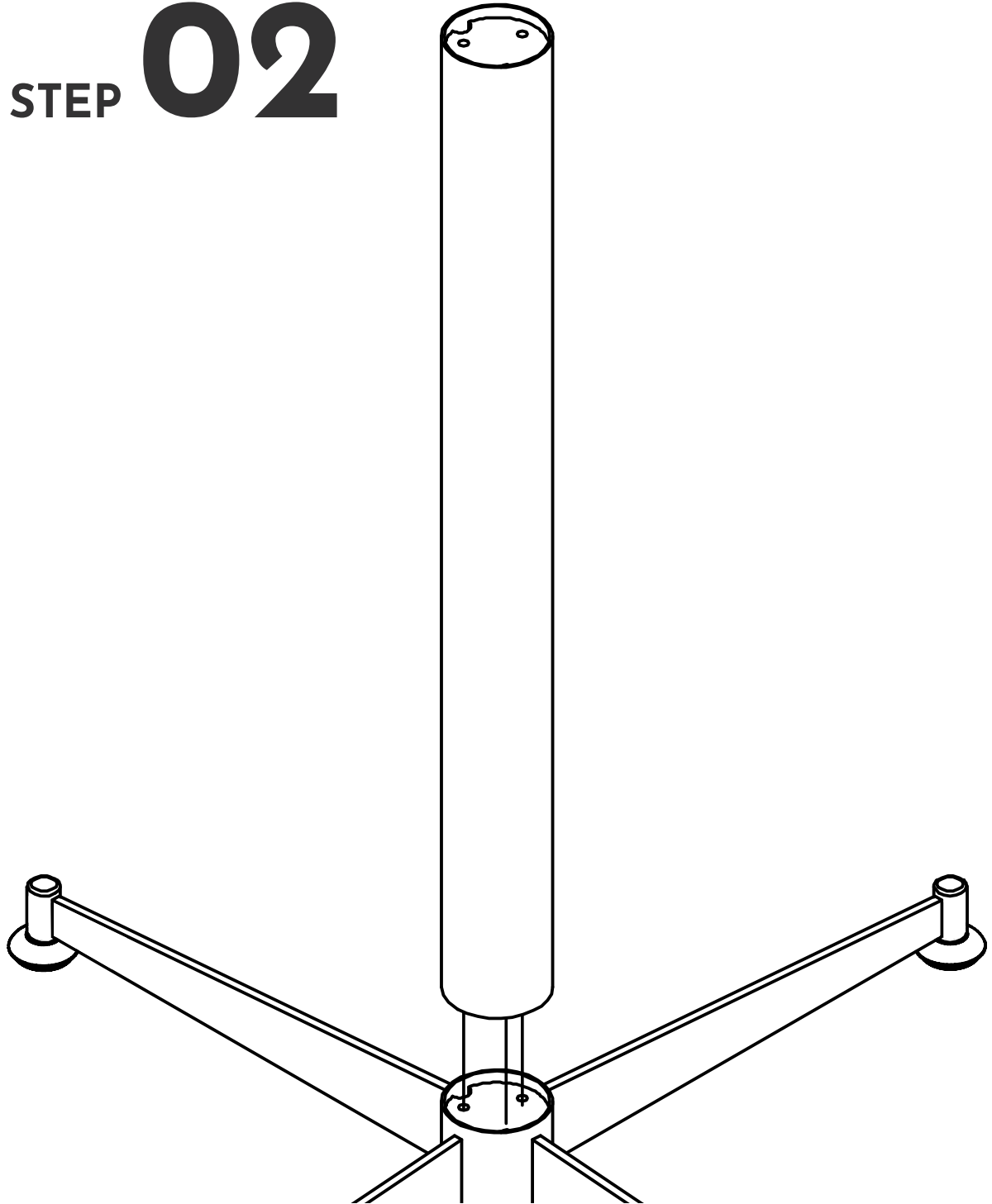
## STEP 01





# ELLIOTT (ROUND TOP) ASSEMBLY

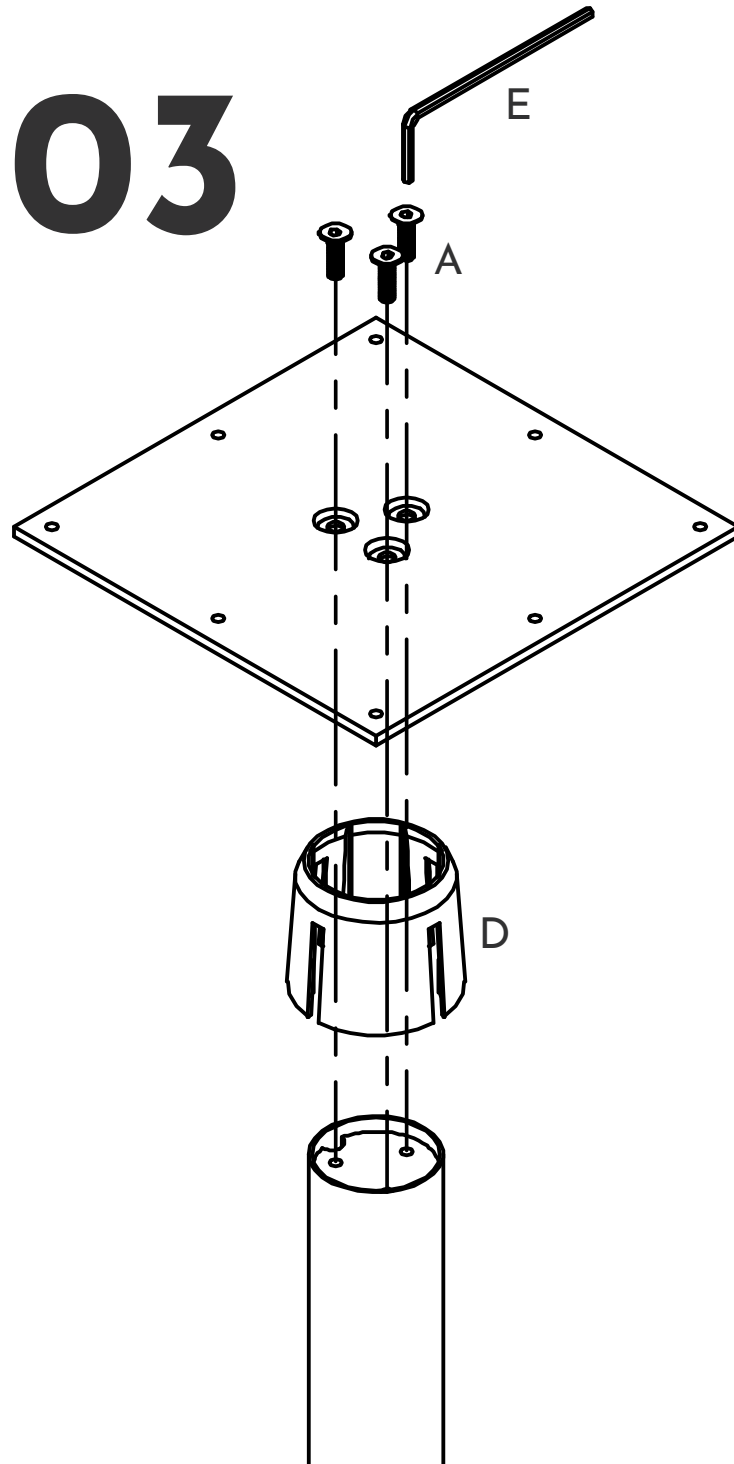
STEP **02**





# ELLIOTT (ROUND TOP) ASSEMBLY

## STEP 03





# ELLIOTT (ROUND TOP) ASSEMBLY

## STEP 04

