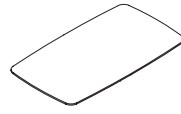
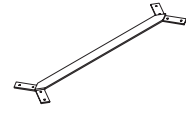




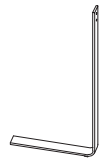
SERAPHINA ASSEMBLY



1 PC



1 PC



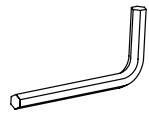
4 PCS



A
8 PCS

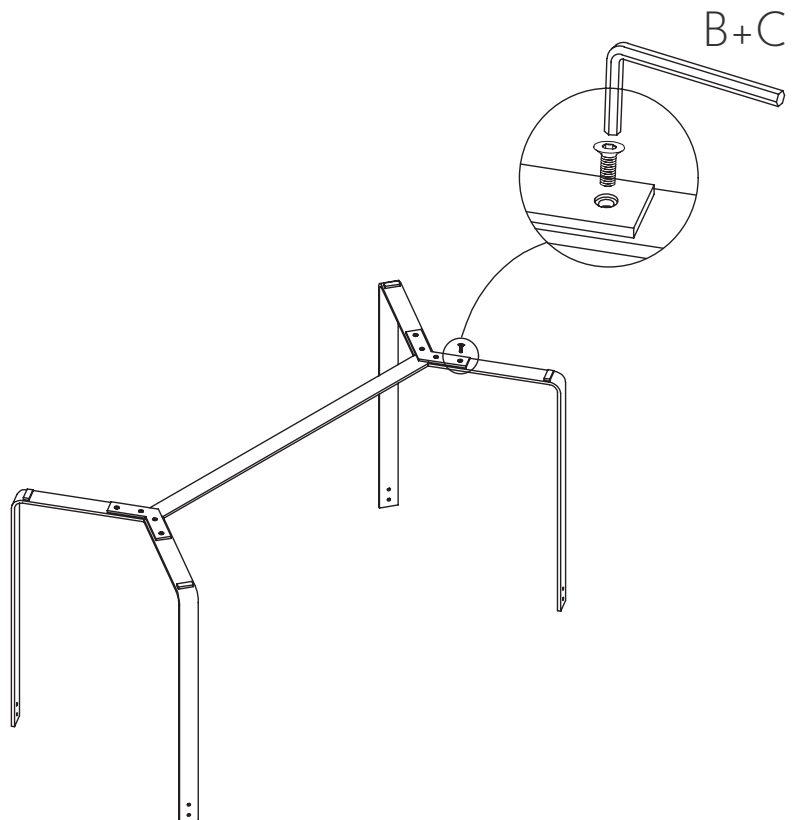


B
8 PCS



C
1 PC

STEP 01





SERAPHINA ASSEMBLY

STEP 02

