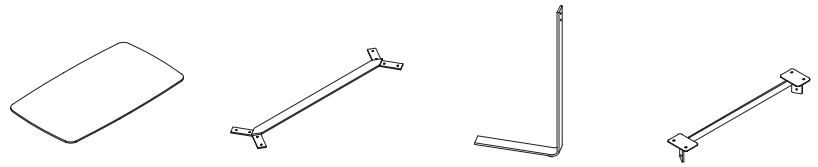




SERAPHINA ASSEMBLY



1 PC

1 PC

4 PCS

2 PCS



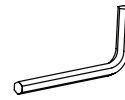
A
8 PCS



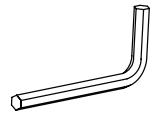
B
8 PCS



C
8 PCS

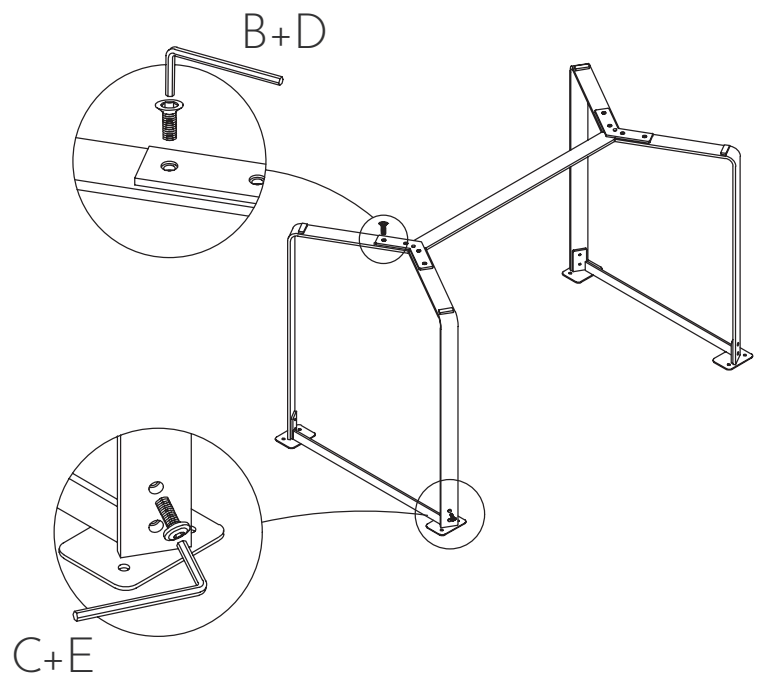


D
1 PC



E
1 PC

STEP 01



STEP 02

