



LAVERICK ASSEMBLY



A
M6 X 30
3 PCS



B
M6 X 15
6 PCS



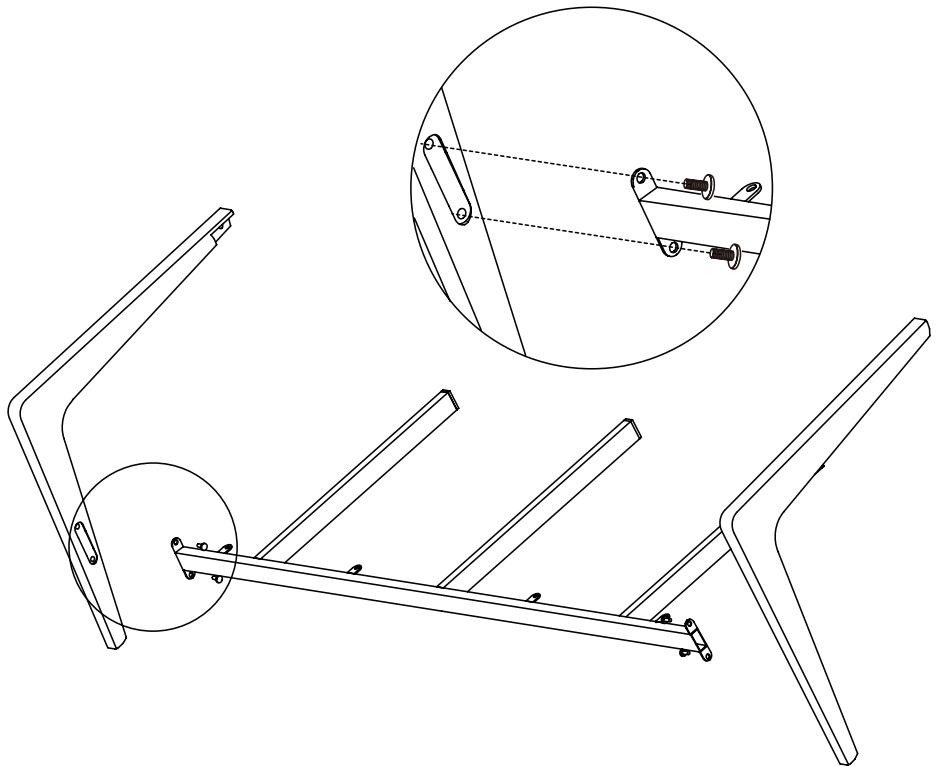
C
8 PCS



D
8 PCS

STEP 01

ALIGN CONNECTOR (2) TO PRE-DRILLED HOLES ON EACH FOOT (1). SECURE CONNECTOR TO EACH FOOT WITH TWO SCREWS (B) PER FOOT.

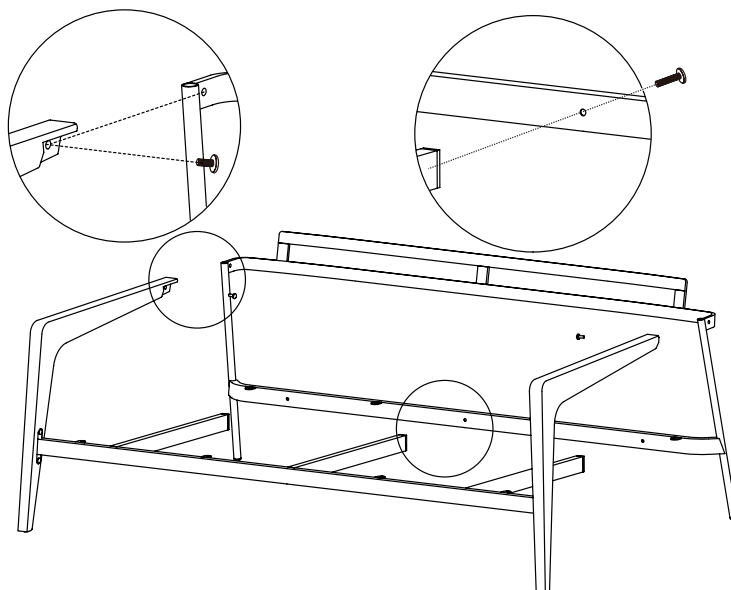


STEP 02

ALIGN FEET AND CONNECTOR TO PRE-DRILLED HOLES IN REAR FOOT (3).

SECURE ARMS TO REAR FOOT WITH ONE SCREW (B) PER ARM.

SECURE CONNECTOR TO REAR FOOT WITH THREE SCREWS (A).



STEP 03

ALIGN CUSHION (4) TO PRE-DRILLED HOLES ON THE CONNECTOR (2).

SECURE CUSHION (4) TO CONNECTOR (2) WITH EIGHT SCREWS (C) THREADED THROUGH WASHERS (D).

PLACE THE BACKREST (5) AGAINST THE BACK ASSEMBLY OF THE REAR FOOT.

