



IRMA ASSEMBLY



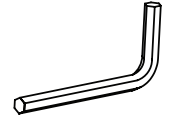
A
M4 X 10
2 PCS



B
M6 X 10
6 PCS



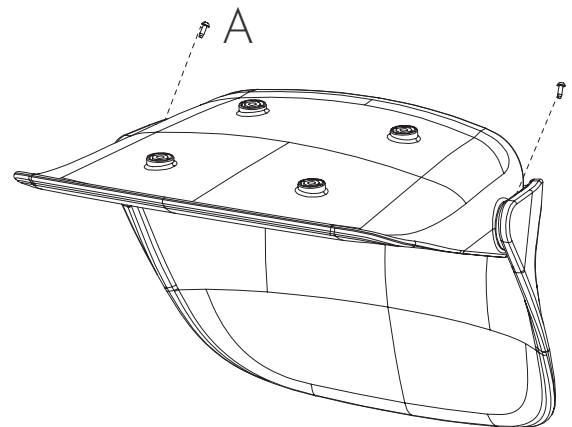
C
6 PCS



D
4MM/2.5MM
1 PC EACH

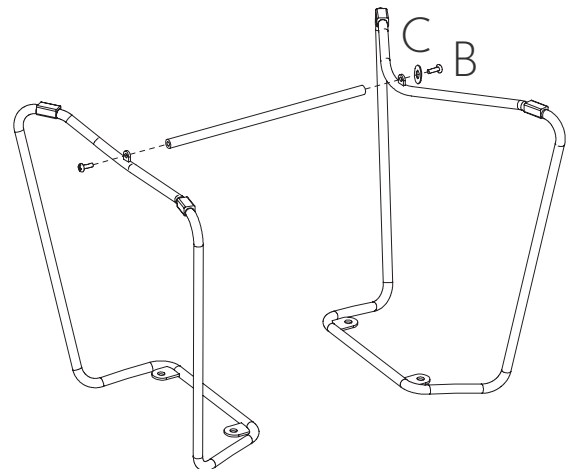
STEP 01

ATTACH BACKREST TO SEAT,
SECURE WITH 2 A SCREWS,
ONE ON EACH SIDE.



STEP 02

ATTACH CONNECTING LEVEL TO SEAT
FRAME, SECURE TO FRAME WITH 2 B
SCREWS AND 2 C WASHERS.



STEP 03

ATTACH ASSEMBLED SEAT FRAME TO SEAT BOTTOM, SECURE 4 B SCREWS AND 4 C WASHERS.

MAKE SURE ALL SCREWS ARE SECURED TIGHTLY.

