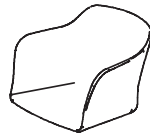
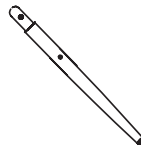




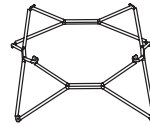
DEKER ASSEMBLY



1
1 PC



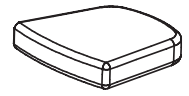
2
4 PCS



3
1 PC



4
4 PCS



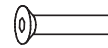
5
1 PC



6
M6 X 16
4 PCS



7
4 PCS



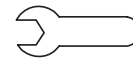
8
M6 X 25
4 PCS



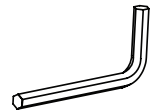
9
M6 X 40
4 PCS



10
4 PCS



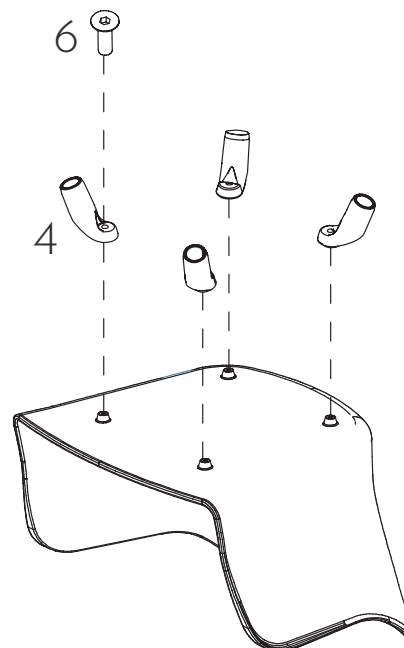
1 PC



1 PC

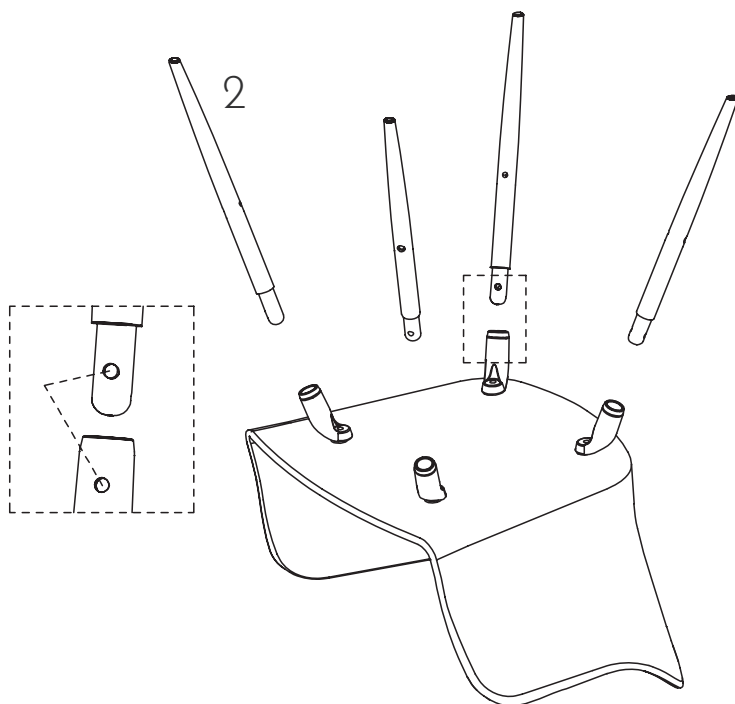
STEP 01

ATTACH THE PLASTIC MOUNTING BRACKETS TO THE UNDERSIDE OF THE SEAT WITH SCREWS. DO NOT TIGHTEN.



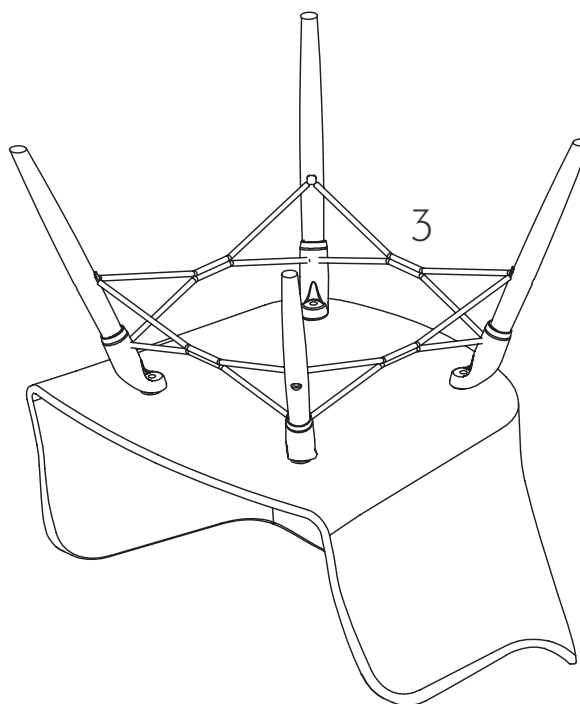
STEP 02

INSERT THE WOOD LEGS INTO THE PLASTIC MOUNTING BRACKETS, KEEPING THE PREDRILLED HOLES ALIGNED AS SHOWN.



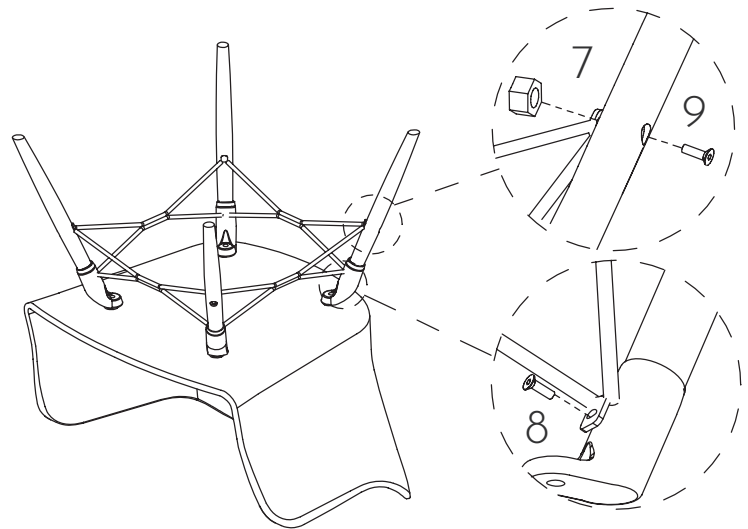
STEP 03

POSITION THE METAL FRAME TO ALIGN WITH THE PREDRILLED HOLES AS SHOWN ON THE LEGS.



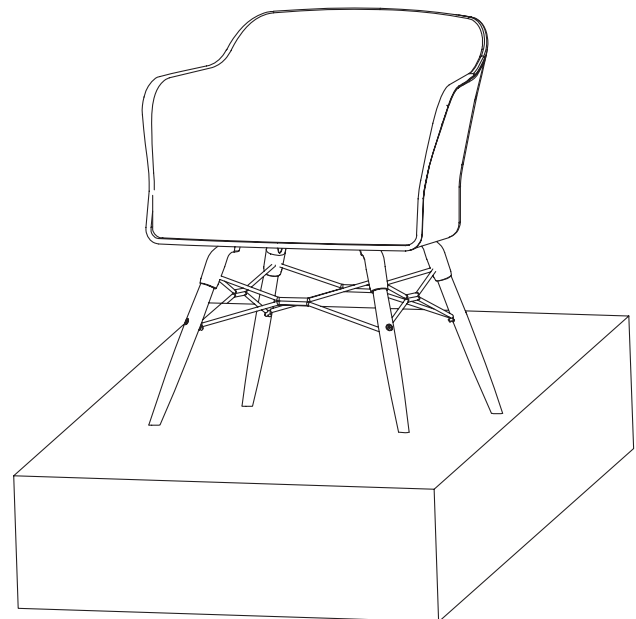
STEP 04

SECURE THE METAL FRAME TO THE LEGS WITH THE #9 BOLT AND #7 NUT. DO NOT FULLY TIGHTEN. SECURE THE METAL FRAME TO THE CHAIR BASE WITH THE #8 BOLT. DO NOT FULLY TIGHTEN.



STEP 05

PLACE THE CHAIR ON A LEVEL SURFACE. ADJUST THE FOUR LEGS THEN TIGHTEN ALL THE SCREWS.



STEP 06

PLACE THE SEAT CUSHION INTO THE SEAT. ATTACH THE PROTECTIVE COVERS OVER THE NUTS, ATTACHING THE FRAME TO THE LEGS.

